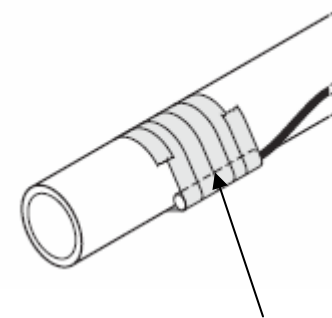
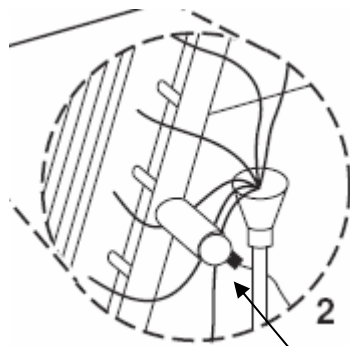


Placing of ETS-A temperature sensor

For ATW-C-INV Module

Placing ETS-A sensor on air heat exchanger

In case of only cooling system:



Cu or Al strip bandage

The sensor must be fitted on outlet (gas) refrigerant pipe

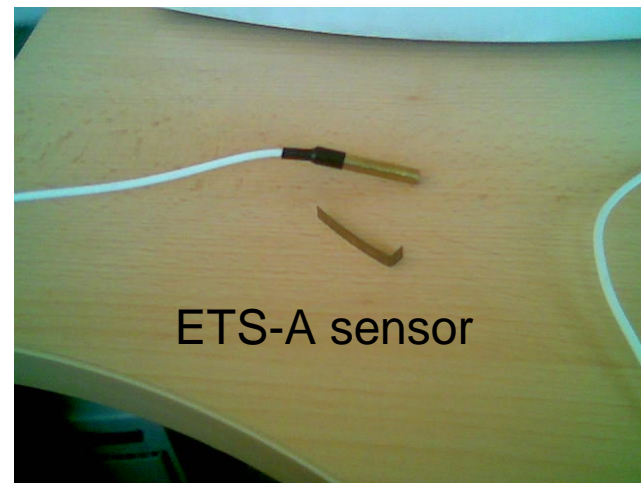
There must be proper temperature connection between heat exchanger and sensor. It must not be influenced by outdoor temperature.

Placing ETS-A sensor on air heat exchanger

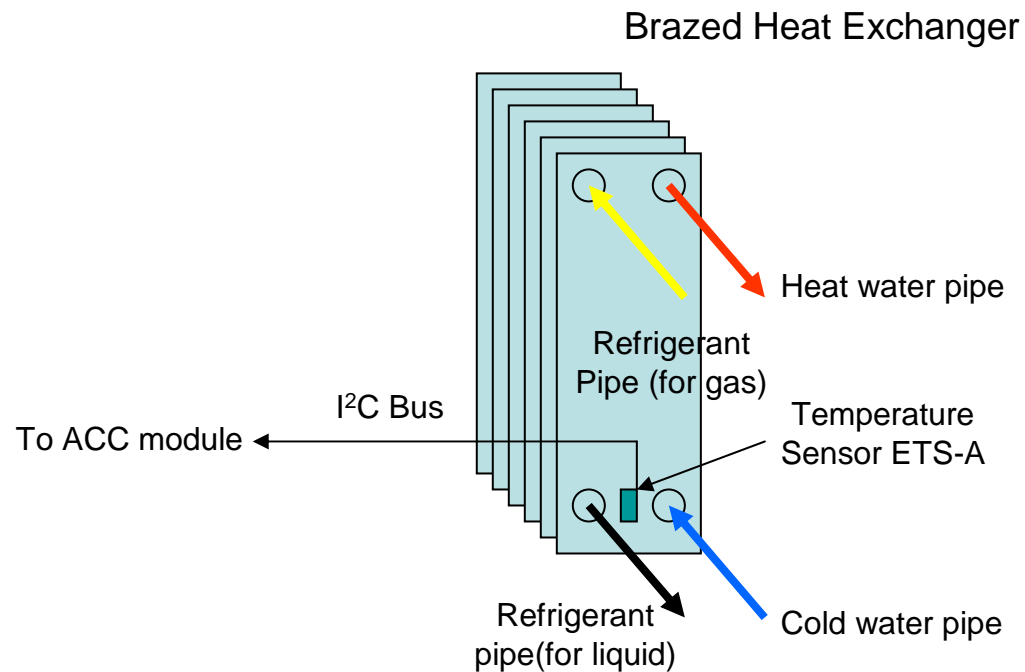
In case of cooling/heating system:

The sensor must be fitted on the refrigerant pipe, approx. in half of exchanger pipe length (like at AC indoor unit)

Welded



Recommended position of temperature sensor ETS-A



There must be proper temperature connection between heat exchanger and sensor. It must not be influenced by outdoor temperature.